

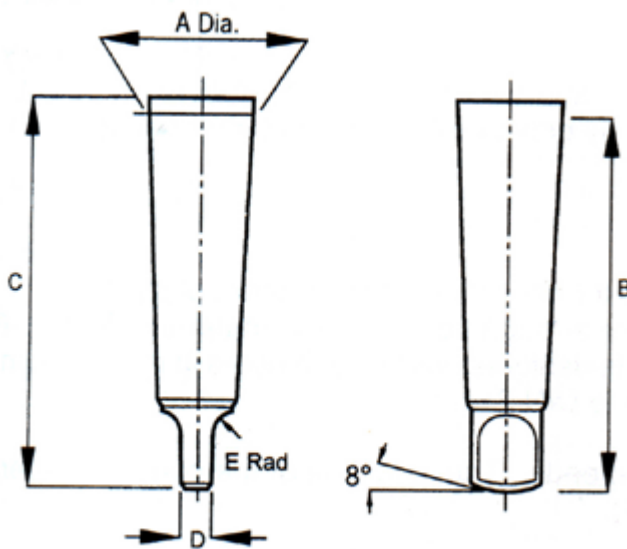
Morse Taper sizes

Different Morse tapers have easily distinguished sizes.

Measure at the big end (ie, the open hole), in inches:

- #0 is 0.356
- #1 is 0.475
- #2 is 0.700
- #3 is 0.938
- #4 is 1.231,
- #5 is 1.748
- #6 is 2.494
- #7 is 3.270

Principal dimensions of Morse Taper Shank in accordance with BS1660, 1972 / ISO 296/DIN 228



MORSE TAPER No.	A mm	B mm	C mm	D mm	E mm	TAPER per mm on dia.
1	12.065	62.0	65.5	5.2	5	0.04988
2	17.780	75.0	80.0	6.3	6	0.04995
3	23.825	94.0	99.0	7.9	7	0.05020
4	31.267	117.5	124.0	11.9	8	0.05194
5	44.399	149.5	156.0	15.9	10	0.05263